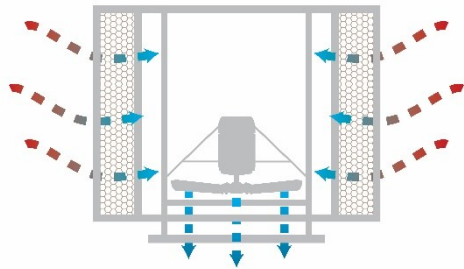


DELTASTREAM MOUNTING

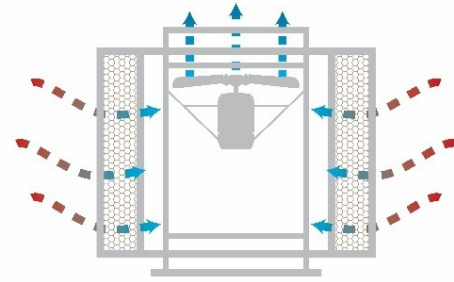
The DeltaStream mounts on the roof for downward discharge or the ground level for upward discharge.



Downward Discharge

The downward configuration DeltaStream unit is normally roof mounted. After the curb is attached to the roof, the duct should be dropped through the curb. The duct should be able to sit on the top flange of the curb, and the damper may be placed on top of it.

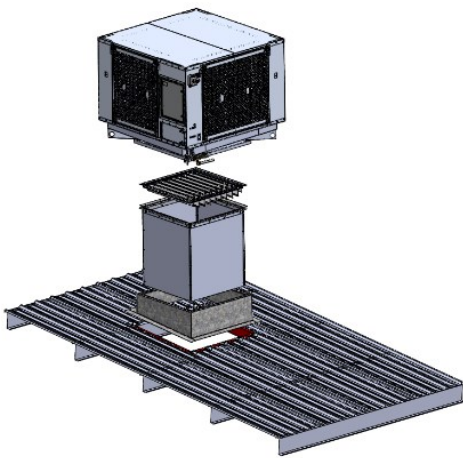
When the ducting is installed, the DeltaStream may be lifted and installed onto the curb. Fasten all components as indicated by site installation instructions. This configuration generally uses a duct drop with a 45° elbow, diffuser, or both. These attachments direct the air exactly to where it is needed.



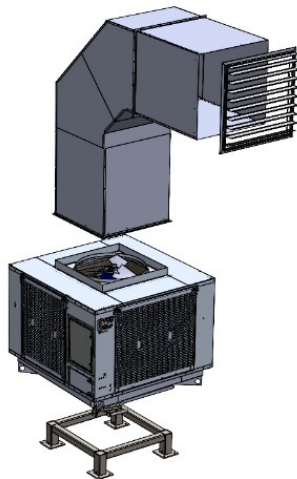
Upward Discharge

The upward configuration will be installed on the ground or solid structure, normally on top of a stand. The unit must be secured to the ground stand before any ducting is attached. No loads may be placed on the DeltaStream top, so ensure that all ducting is supported by another structure or the building itself.

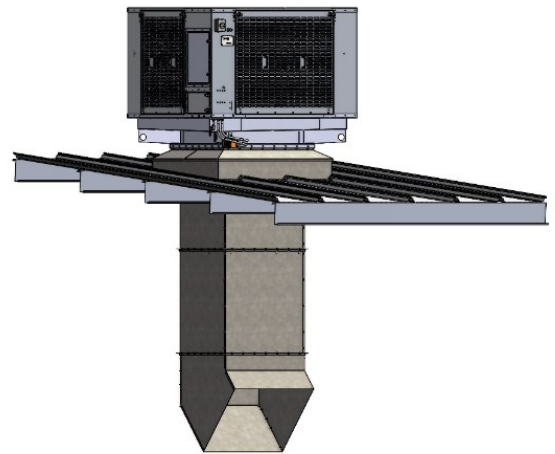
The order of installation should be as follows: stand, DeltaStream unit, ducting and damper at building intake, and then duct connection between unit and ductwork.



Roof Mounting



Ground Mounting



Duct Drop with 45° elbow

Ducting should be a minimum of 42" x 42" on the inner surface to ensure proper connection to the unit.